

# Heart Pendant

By Vyvyan Neel

<http://inahappycamper.eponym.com/blog>



This small heart is just the right size to wear as a piece of jewelry or to fill with a small scented sachet. It is made with a modular type of construction: first a mitered triangle is made and then two smaller triangles are created at the top of it by picking up stitches along the longer edge. It is made on smaller needles than the yarn suggests, to help keep the gauge on the tighter side since the finished heart will be stuffed.

## Materials:

- Alchemy Yarns *Bamboo* 100% bamboo 50 gms/150 yds. **1 skein**  
or other small amount fingering/sport weight of yarn-approx. 30 yds
- US #2 (2.75 mm) needles
- Size C Crochet hook
- ¼" organza ribbons (2 colors) **1 ¼ yd each.**
- Small charm
- Blunt tip needle with large enough eye to lace ribbons through
- Small amount of stuffing (I used leftover pieces of yarn in similar colors)

**Gauge:** unknown—not important but something on the tighter side

**Finished size:** 2 3/8 inches long by 2 3/8 inches wide

## Abbreviations:

K = Knit

P = Purl

CO = cast on

St = stitch

K2tog = knit 2 sts together

Dec = slip one st as if to purl, K2tog, pass slipped st over st just made-2 sts decreased.

PSSO = pass slipped st over st just made

RS = right side

WS = wrong side

# Heart Pendant

By Vyvyan Neel

<http://inahappycamper.eponym.com/blog>

## Instructions:

**Note:** Refer to diagrams provided to help show where top triangles are worked, etc.

## Large Triangle:

CO 27 sts in the Knitted-On method.

Knit one row (WS).

**Row 1:** (RS) S1, k11, Dec (see abbreviations), k11, p1.

**Even Rows 2 -10:** S1, k2tog, knit to last st, p1.

**Row 3:** S1, k2tog, k8, Dec, k9, p1.

**Row 5:** S1, k2tog, k6, Dec, k7, p1.

**Row 7:** S1, k2tog, k4, Dec, k5, p1.

**Row 9:** S1, k2tog, k2, Dec, k3, p1.

**Row 11:** S1, k2tog, Dec, k1, p1 (5 sts).

**Row 12:** (WS) S1, k2tog, k1, p1 (4 sts).

## Begin Top Left Point (refer to Diagram 1):

**Row 1:** (RS) S1, k2tog, pssso, k1. Keep these 2 sts and continue with the right hand needle to pick up 7 sts along top edge of triangle just made, ending at the left side corner (9 sts).

**Row 2:** Knit across row.

**Row 3:** K1, k2tog, k to end.

Repeat row 3 until 3 sts remain.

(RS) S1, k2tog, pssso. Break yarn.

## Top Right Point (refer to Diagram 2):

Beginning at right upper corner of large triangle, pick up 9 sts, ending in the middle (where the Top Left Point began). Work as for the Top Left Point beginning with Row 1.

There are 2 ways to make the second side of this heart.

**Method One:** Pick up 27 stitches along bottom edges of first Large Triangle making sure st 14 is at the lower point (refer to diagram 4). Continue to work as for the first side.

**Method Two:** Make one more heart as above.

## Finishing:

**Method One:** The Top Points are open at the top of the heart.

Partially fill heart with stuffing or yarn scraps. With crochet hook, begin to work a crochet chain through both front and back points beginning at the right side.

**Method Two:** Hold the two heart sides with wrong sides together and sew or chain stitch around edges leaving an opening to stuff. Continue to finish as for Method One.

Continue along open edge but before closing up the hole, finish stuffing. Finish crochet chain along top edge and break yarn. If desired, the chain can continue all around the heart edges. Weave in any loose yarn tails to inside of heart and secure.

Holding 2 pieces of ribbon together, thread charm onto them and slide to the half point of ribbon length. Tie an overhand knot close to the charm. Thread all four ribbon ends through a large needle and going from front to back, pull ribbons through top of heart (see photo from location). Holding all four ribbons ends together, tie another overhand knot in desired location. Trim ends on the diagonal.



If you have any problems or find errors with the instructions please notify me and I'll try to get them worked out as soon as I can.

Email me at: [vyvneel@sbcbglobal.net](mailto:vyvneel@sbcbglobal.net)

Pattern & Images © 2008 Vyvyan Neel

All rights reserved. Pattern is for personal use only.

It is not to be sold or used to produce garments for resale. It may not be reprinted on the web or otherwise without permission.

<http://inahappycamper.eponym.com/blog>



# Heart Pendant Diagrams

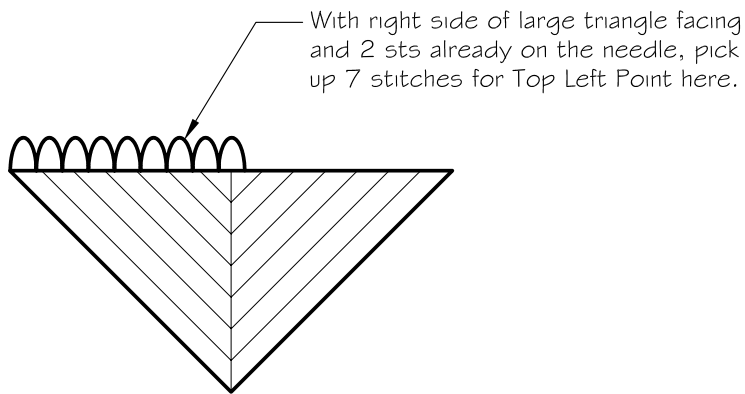


Diagram 1

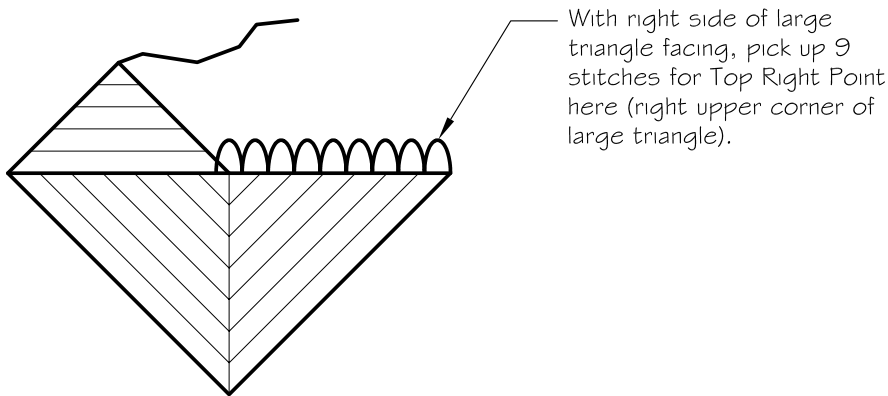


Diagram 2

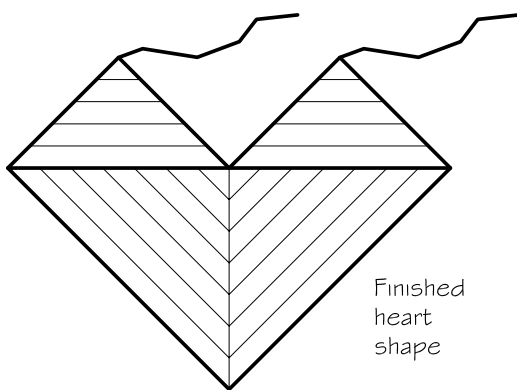


Diagram 3

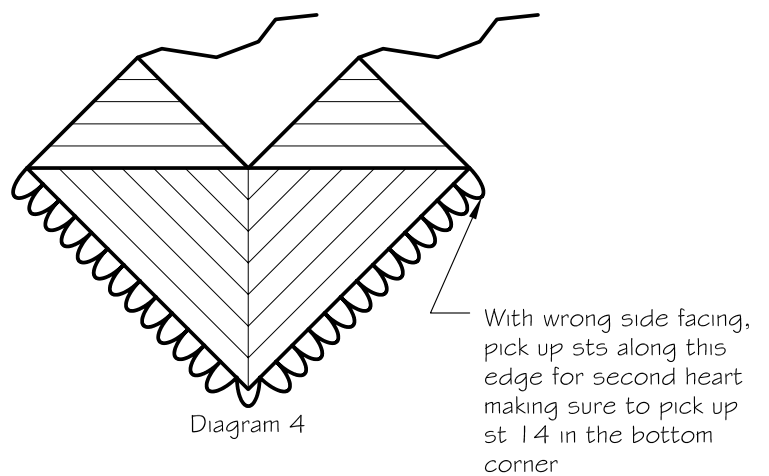


Diagram 4